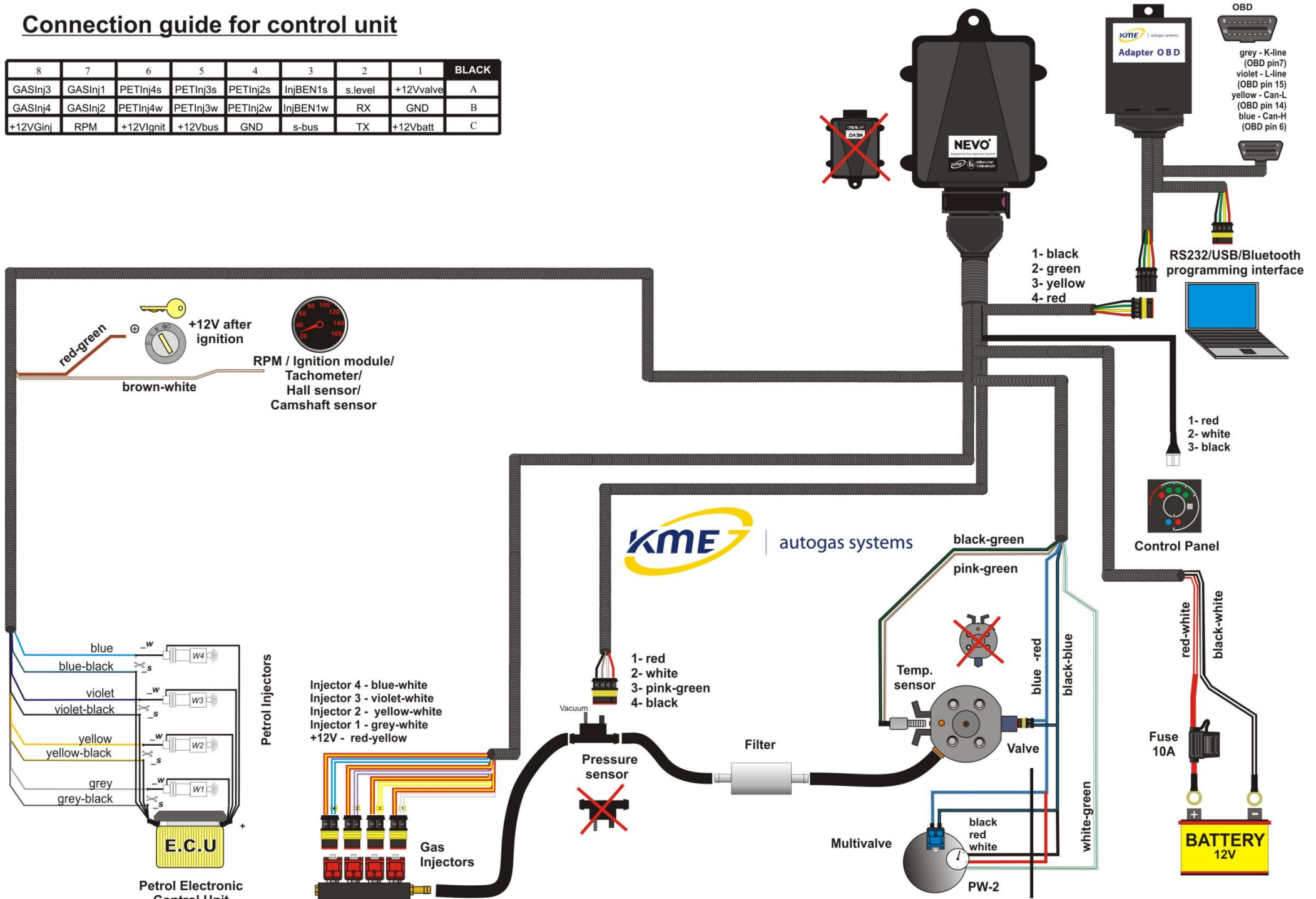


Connection guide for control unit

8	7	6	5	4	3	2	1	BLACK
GASInj3	GASInj1	PETInj4s	PETInj3s	PETInj2s	InjBEN1s	s.level	+12Vvalve	A
GASInj4	GASInj2	PETInj4w	PETInj3w	PETInj2w	InjBEN1w	RX	GND	B
+12VGinj	RPM	+12VIgnit	+12Vbus	GND	s-bus	TX	+12Vbatt	C



GAS ECU mounted with connector oriented downwards; PRESSURE SENSOR mounted with connector oriented upwards; REDUCER with integrated valve DO NOT MOUNT with valve downwards.

Connection guide for control unit

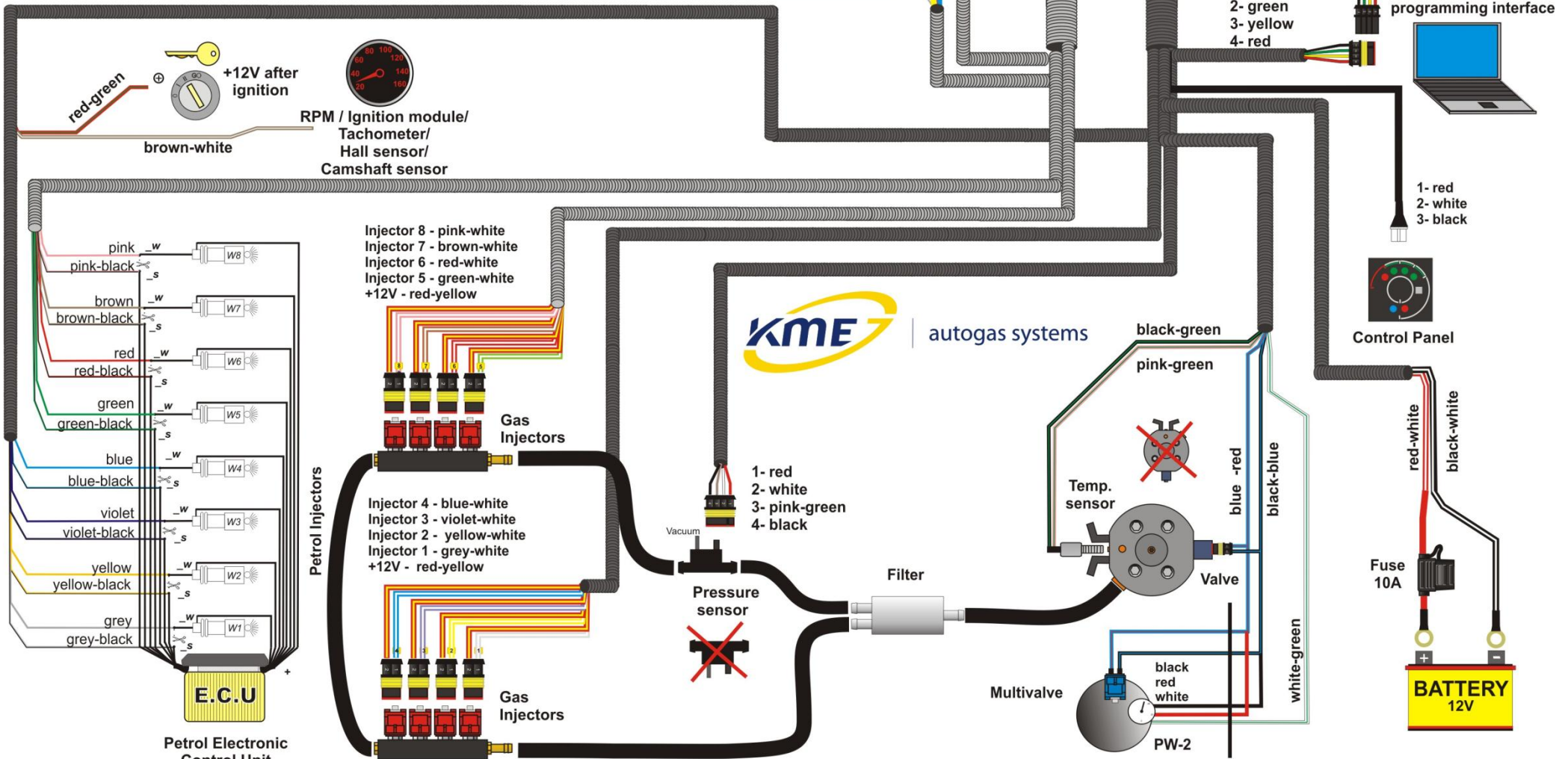
8	7	6	5	4	3	2	1	BLACK
GASInj3	GASInj1	PETInj4s	PETInj3s	PETInj2s	InjBEN1s	s.level	+12Vvalve	A
GASInj4	GASInj2	PETInj4w	PETInj3w	PETInj2w	InjBEN1w	RX	GND	B
+12VGinj	RPM	+12VIgnit	+12Vbus	GND	s-bus	TX	+12Vbatt	C

8	7	6	5	4	3	2	1	GREY
INan4	PETInj8s	PETInj7s	PETInj6s	PETInj5s	INan1	GASInj8	GASInj6	A
INan3	PETInj8w	PETInj7w	PETInj6w	PETInj5w	OUTan1	GASInj7	GASInj5	B
+12Vout	CAN-H	CAN-L	L-Line	K-Line	INan2	OUTan2	+12VGinj	C

Connections not mandatory ->

grey - K-line (OBD pin 7)
 violet - L-line (OBD pin 15)
 yellow - Can-L (OBD pin 14)
 blue - Can-H (OBD pin 6)

+12V OUT - blue-red
 InAn4 - blue-white
 InAn3 - violet-white
 OutAn2 - yellow-black
 InAn2 - yellow-white
 OutAn1 - grey-black
 InAn1 - grey-white



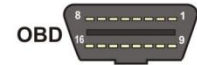
GAS ECU mounted with connector oriented downwards; PRESSURE SENSOR mounted with connector oriented upwards; REDUCER with integrated valve DO NOT MOUNT with valve downwards.

Connection guide for control unit

8	7	6	5	4	3	2	1	BLACK
GASInj3	GASInj1	PETInj4s	PETInj3s	PETInj2s	InjBEN1s	s.level	+12Vvalve	A
GASInj4	GASInj2	PETInj4w	PETInj3w	PETInj2w	InjBEN1w	RX	GND	B
+12VGinj	RPM	+12VIgnit	+12Vbus	GND	s-bus	TX	+12Vbatt	C

8	7	6	5	4	3	2	1	GREY
INan4	PETInj8s	PETInj7s	PETInj6s	PETInj5s	INan1	GASInj8	GASInj6	A
INan3	PETInj8w	PETInj7w	PETInj6w	PETInj5w	OUTan1	GASInj7	GASInj5	B
+12Vout	CAN-H	CAN-L	L-Line	K-Line	INan2	OUTan2	+12VGinj	C

Connections not mandatory ->

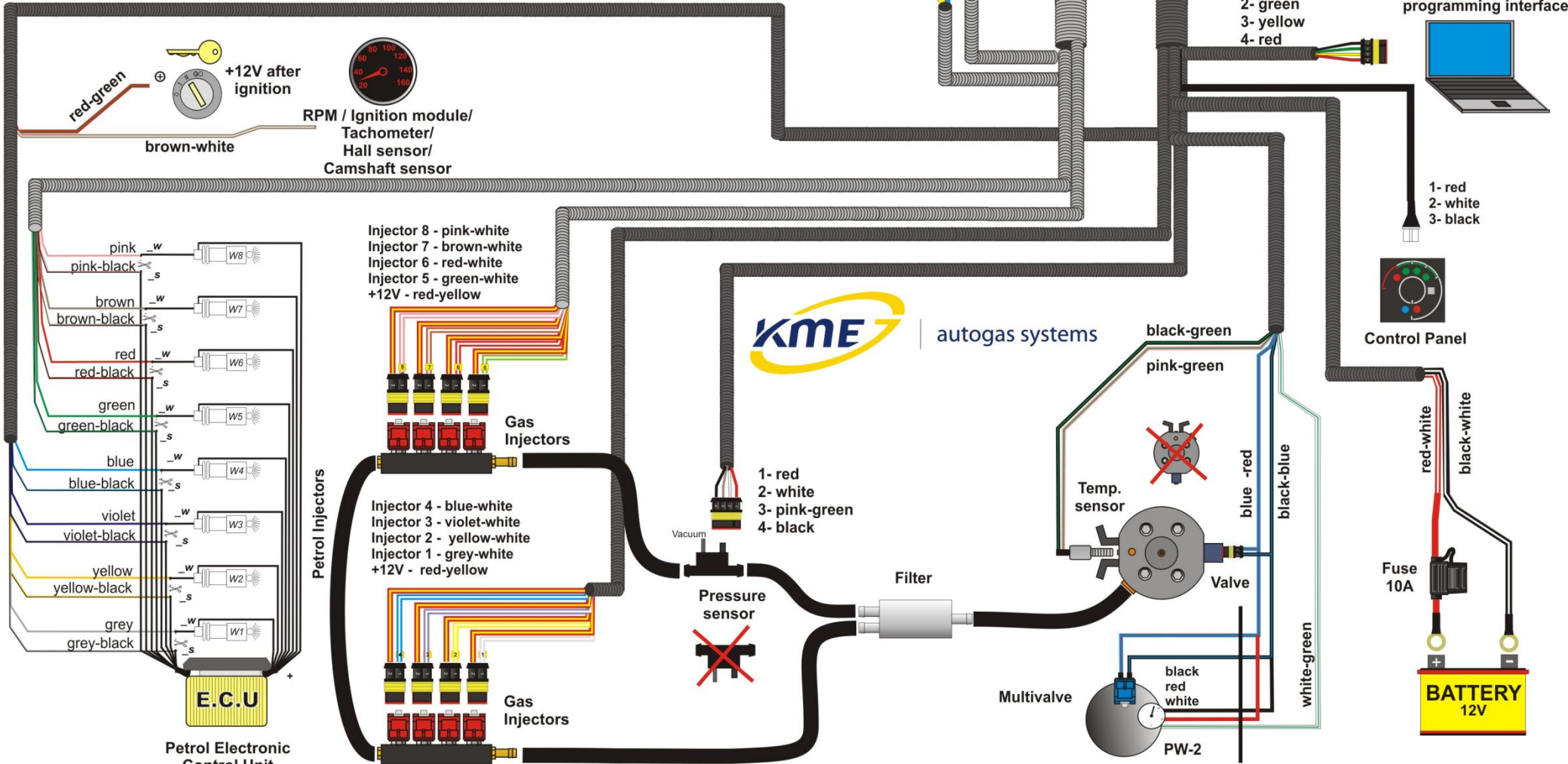


grey - K-line (OBD pin 7)
violet - L-line (OBD pin 15)
OR
yellow - Can-L (OBD pin 14)
blue - Can-H (OBD pin 6)

+12V OUT - blue-red
InAn4 - blue-white
InAn3 - violet-white
OutAn2 - yellow-black
InAn2 - yellow-white
OutAn1 - grey-black
InAn1 - grey-white



WARNING!
In cars with flap on the OBD connector, the flap should be removed before connecting OBD module wires.



GAS ECU mounted with connector oriented downwards; PRESSURE SENSOR mounted with connector oriented upwards; REDUCER with integrated valve DO NOT MOUNT with valve downwards.